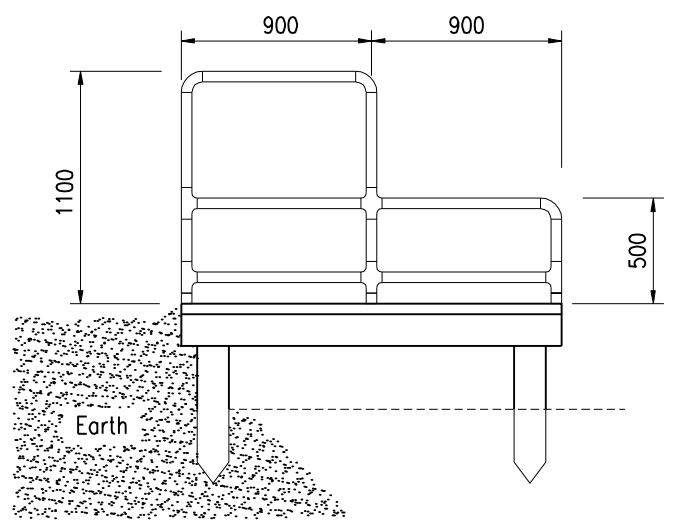
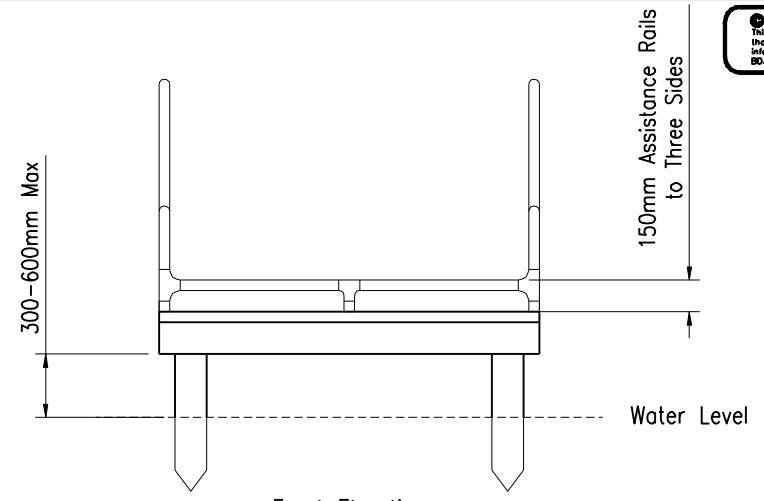


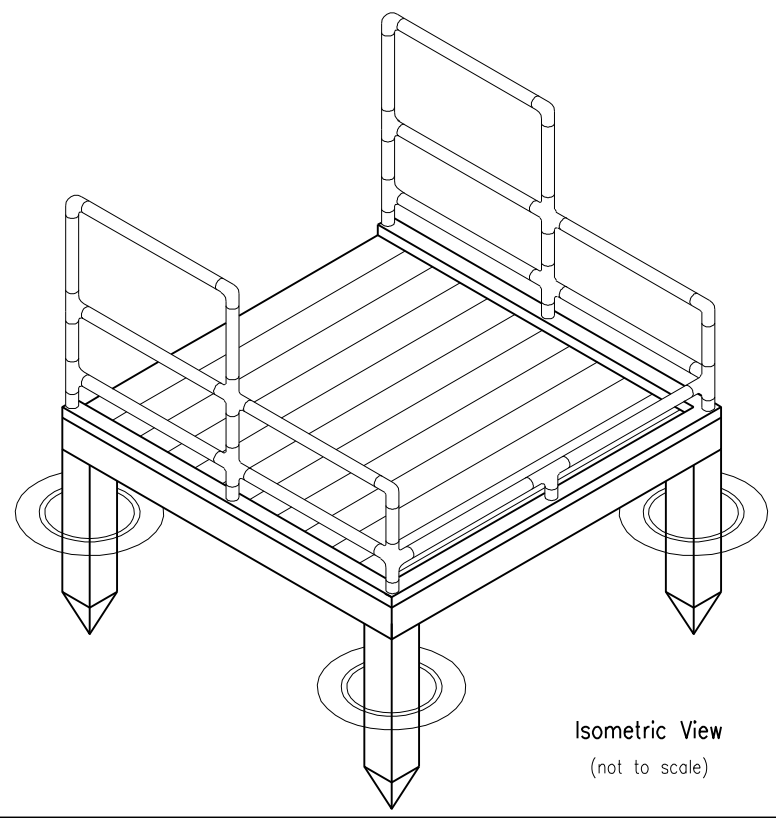
**© COPYRIGHT**  
 This document is the property of BDAA and is loaned only upon condition that it is not to be copied or reproduced, nor to be used for furnishing information to others or any other purpose detrimental to the interest of BDAA.



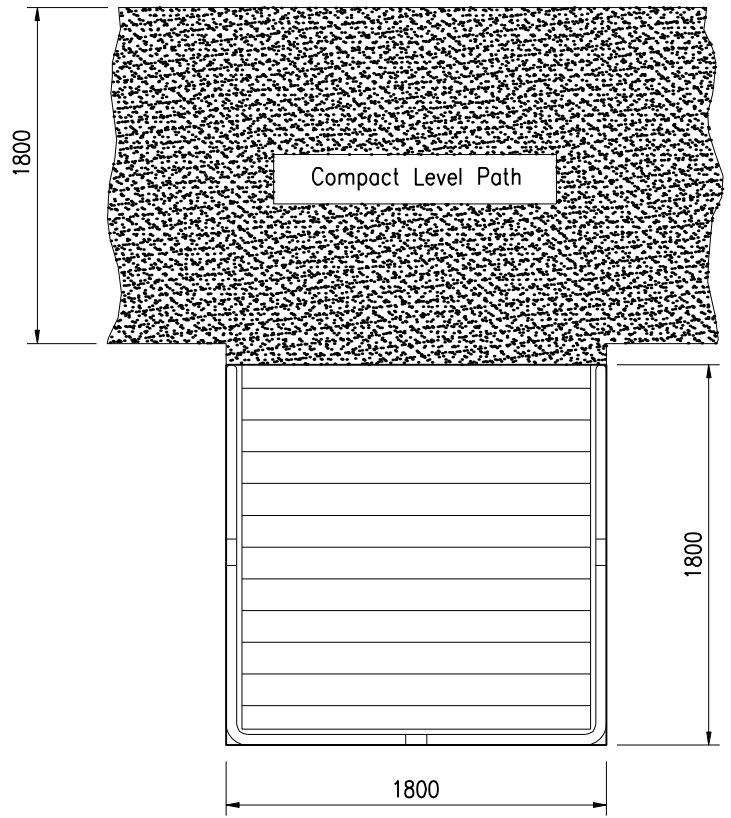
End Elevation



Front Elevation



Isometric View  
(not to scale)




Plan View

B	07.06.09	RAIL INCREASED TO 1100mm, NOTE CHANGED	MG
A	02.03.09	FIRST ISSUE	MG
REV	DATE	AMENDMENTS	INT

TITLE  
 FISHING PLATFORM 1800mm x 1800mm  
 TAMBER WITH STEEL RAIL (OVER WATER TYPE)

CLIENT  
 BRITISH DISABLED ANGLING ASSOCIATION



Registered Charity No. 1074729

SCALES	N.T.S.	DATE	02.03.09
DRAWN BY	MG	SHEET SIZE	A4
CHECKED BY	TM	COPYRIGHT	©
DRAWING No.	C1000-011	REV	B